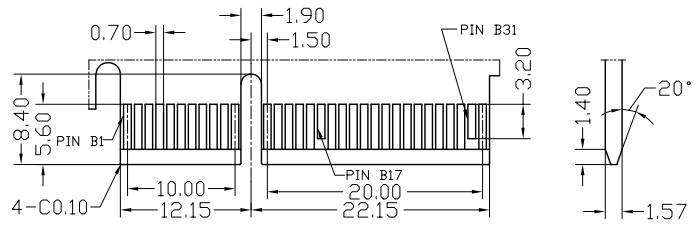
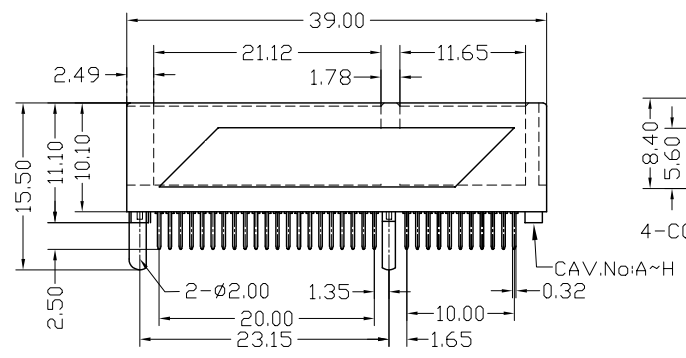
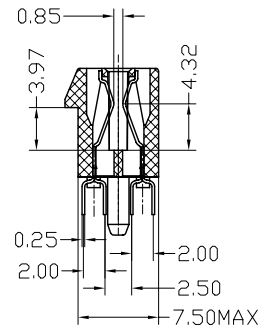
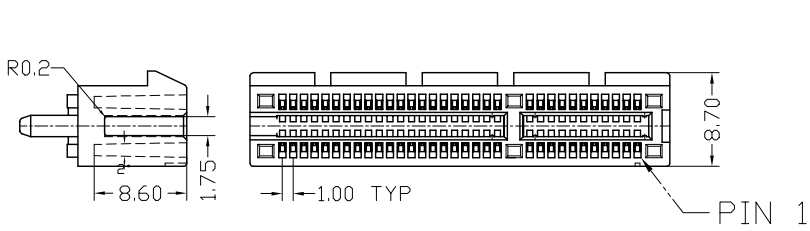
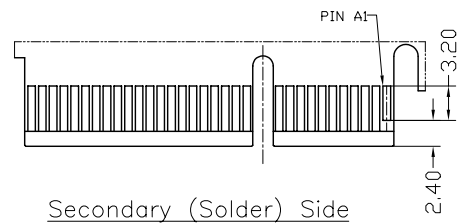


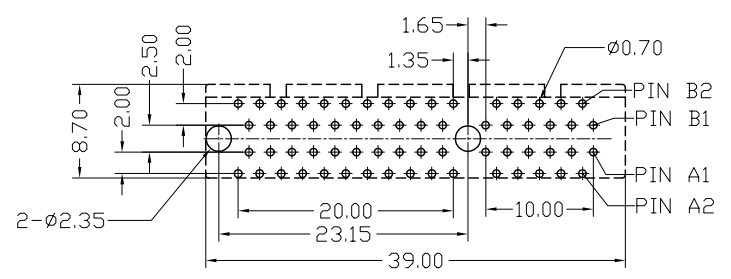
REV.	ECN.NO.	DATE
A	RELEASED	



Primary (Component) Side



Secondary (Solder) Side



P.C.B Layout

NOTES

***Material**

Body : NYLON66+30%G.F or PBT+30%G.F,
 UL 94V-0 Rated.Color: White or Black
 CAV.No: A~H
 Contacts : Brass or Phosphor Bronze
 Plating: Gold plating over Nickel on contact
 Area; Tin plating on Solder Tail.

***Mechanical:**

Insertion Force: 1.15N max per contact pair;
 Withdrawal Force: 0.15N min per contact pair;
 Contact Retention Force: 4.9N min per contact;

***Electrical Specification**

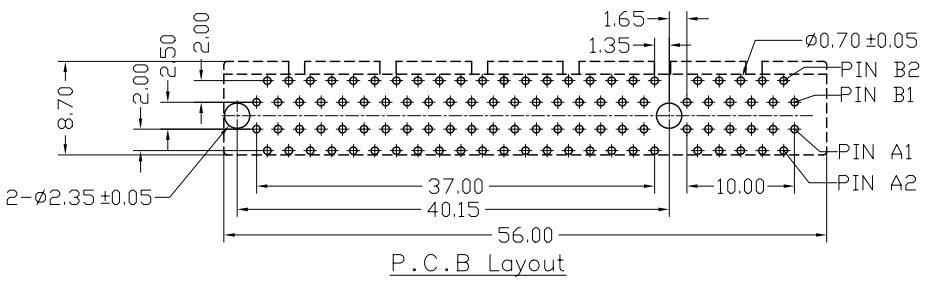
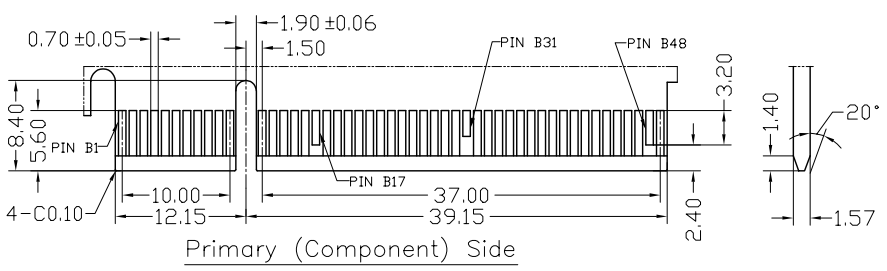
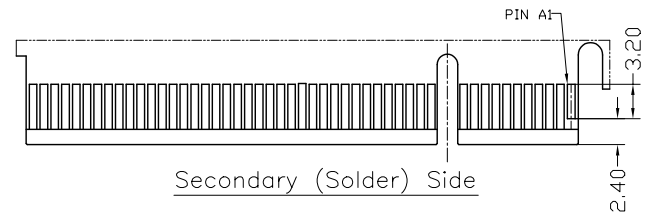
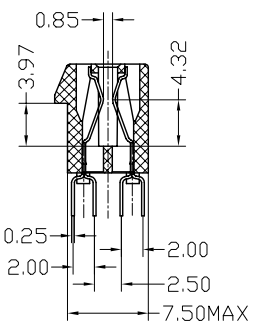
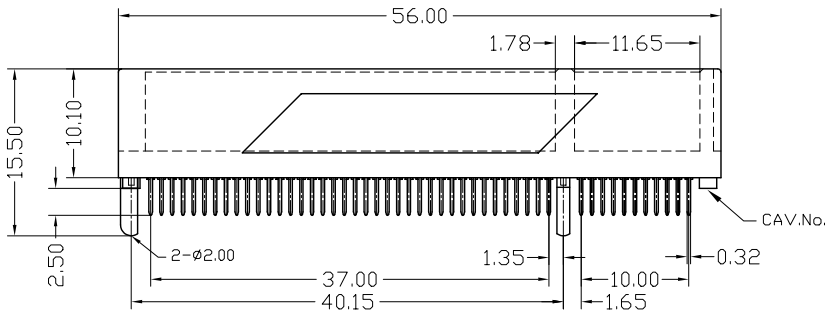
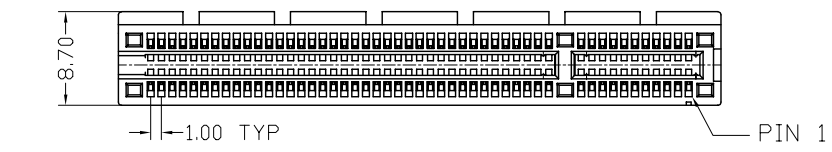
Contact Resistance : 30 Milliohms Max.
 Current Resistance : 1.1 Ampere
 Insulation Resistance : 1000 Megohms Min, At 500V AC.
 Operating Temperature : -55°C to +105°C

***How to order:**

Series NO. WPES-064 A N 1 B 2 2 U W C
 Number of Contacts
 Gold A:Flash B:5u" C:10u"
 D:15u" E:20u" F:30u"
 N:Nylon66 B:PBT N4:Nylon46
 3:White 1:Black
 C:Chip Type
 W:Winning Mark
 U:Lead Free
 Blank:Sn Pb
 2:Plastic Posts
 3:Pin Length 3.0mm
 B:Brass
 P:Phosphor Bronze

REV				Revise Post & Part NO.			
Units	mm	Scale	Drawing By	Data			
Tolerance Unless Otherwise Specified			Jerry	Reviewed By			
.X	~	±0.38	Roger	Approval By			
.XX	~	±0.25	Richard	Date			
.XXX	~	±0.20		Date	1 of 1	Title	PCI EXPRESS 64Pin Strip Form Pin Plastic Posts (Chip Type)
Angle	~	± 3°		Third Angle Projection			
				Drawing No.	WPES-064PS-AN-W055	REV	A

REV.	ECN.NO.	DATE
A	RELEASED	07/07/06



NOTES:

***Material**

Body : Nylon46, UL 94V-0 Rated.
Color: White or Black

Contacts : Brass or Phosphor Bronze
Plating: Gold plating over Nickel on contact
Area; Tin plating on solder Tail.

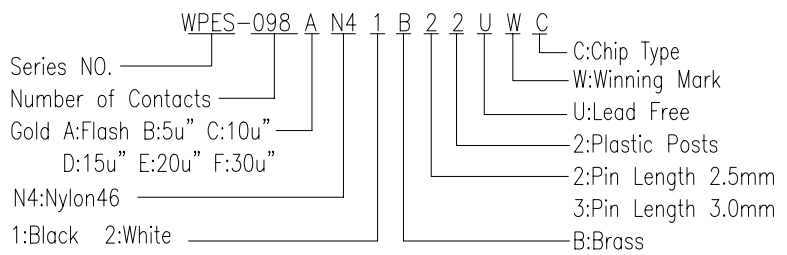
***Mechanical:**

Insertion Force: 1.15N max per contact pair;
Withdrawal Force: 0.15N min per contact pair;
Contact Retention Force: 4.9N min per contact;

***Electrical Specification**

Contact Resistance : 30 Milliohms Max.
Current Resistance : 1.1 Ampere
Insulation Resistance : 1000 Megohms Min, At 500V AC.
Operating Temperature : -55°C to +105°C

***How to order:**



REV		Units		mm		Scale		Drawing By		Data		Date		Title	
Tolerance Unless Otherwise Specified		.X		~ ±0.38		.XX		~ ±0.25		.XXX		~ ±0.20		Angle ~ ± 3°	
Andy		07/07/06		Reviewed By		Roger		07/07/06		Approval By		Richard		07/07/06	
Date		07/07/06		Sheet		1 of 1		Title		PCI EXPRESS 98 Pin Strop Form Pin Plastic Posts (Chip Type)		Drawing No.		WPES-098PS-AN-W074	
REV		A		Title		Third Angle Projection		Date		07/07/06		REV		A	